

Features

- Zener Voltage 110V to 330V
- Glass Passivated Junction
- Halogen Free Available Upon Request By Adding Suffix "-HF"
- Epoxy Meets UL 94 V-0 Flammability Rating
- Lead Free Finish/RoHS Compliant (Note1) ("P" Suffix Designates Compliant. See Ordering Information)

Maximum Ratings

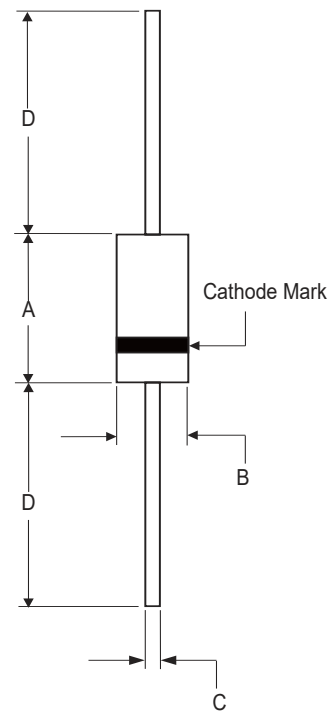
- Operating Junction Temperature Range: -55°C to +150°C
- Storage Temperature Range: -55°C to +150°C

Parameter	Symbol	Rating	Conditions
Peak Forward Surge Current	I_{FSM}	10A	Note 2
Power Dissipation	P_D	1.0W	$T_L=50^\circ\text{C}$, Note 3
Power Derating		6.67mW/°C	above 50°C
Maximum Forward Voltage	V_F	1.2V	$I_F=200\text{mA}$

- Note: 1. High Temperature Solder Exemptions Applied, see EU Directive Annex 7a
 2. Measured on 8.3ms, single half sine-wave or equivalent square wave, duty cycle = 4 pulses per minute maximum.
 3. Mounted on 5.0mm² (0.013mm thick) land areas.

**1.0 W Silicon
Zener Diodes
110 to 330 Volts**

DO-41



DIM	INCHES		MM		NOTE
	MIN	MAX	MIN	MAX	
A	0.160	0.205	4.10	5.20	
B	0.080	0.107	2.00	2.70	Φ
C	0.028	0.035	0.70	0.90	Φ
D	1.000	-----	25.40	-----	

Electrical Characteristics @ 25°C Unless Otherwise Specified

MCC Part Number	ZENER VOLTAGE @TEST CURRENT (Note 4)		MAXIMUM ZENER IMPEDANCE(Note 5)			LEAKAGE CURRENT		MARKING CODE
	V_Z	I_{ZT}	Z_{ZT}	Z_{ZK}	I_{ZK}	I_R	V_R	
	V	mA	Ω	Ω	mA	μ A	V	
1EZ110D5	110	2.3	450	4000	0.25	0.1	83.6	1EZ110D5
1EZ120D5	120	2.0	550	4500	0.25	0.1	91.2	1EZ120D5
1EZ130D5	130	1.9	700	5000	0.25	0.1	98.8	1EZ130D5
1EZ140D5	140	1.8	900	5500	0.25	0.1	106.4	1EZ140D5
1EZ150D5	150	1.7	1000	6000	0.25	0.1	114.0	1EZ150D5
1EZ160D5	160	1.6	1100	6500	0.25	0.1	121.6	1EZ160D5
1EZ170D5	170	1.5	1150	6800	0.25	0.1	129.2	1EZ170D5
1EZ180D5	180	1.4	1200	7000	0.25	0.1	136.8	1EZ180D5
1EZ190D5	190	1.3	1350	7500	0.25	0.1	144.4	1EZ190D5
1EZ200D5	200	1.2	1900	9990	0.25	0.1	152.0	1EZ200D5
1EZ220D5	220	1.0	1600	8000	0.25	0.1	167.2	1EZ220D5
1EZ240D5	240	0.9	1800	8500	0.25	0.1	182.4	1EZ240D5
1EZ250D5	250	0.9	2000	9000	0.25	0.1	190.0	1EZ250D5
1EZ270D5	270	0.8	2100	9000	0.25	0.1	205.0	1EZ270D5
1EZ300D5	300	0.8	2300	9500	0.25	0.1	228.0	1EZ300D5
1EZ330D5	330	0.7	2500	9500	0.25	0.1	250.2	1EZ330D5

Note:

- Zener Voltage (V_Z) Measurement. Guarantess the Zener Voltage When Measured at 90 Seconds While Maintaining the Lead Temperature (T_L) at 25°C , from the Diode Body.
- Zener Impedance (Z_Z) Derivation. The Zener Impedance is Derived from the 60 Cycle AC Voltage, Which Results When an AC Current Having an rms Value Equal to 10% of the DC Zener Current (I_{ZT} or I_{ZK}) is Superimposed on I_{ZT} or I_{ZK} .

Curve Characteristics

Fig. 1 - Power Derating Curve

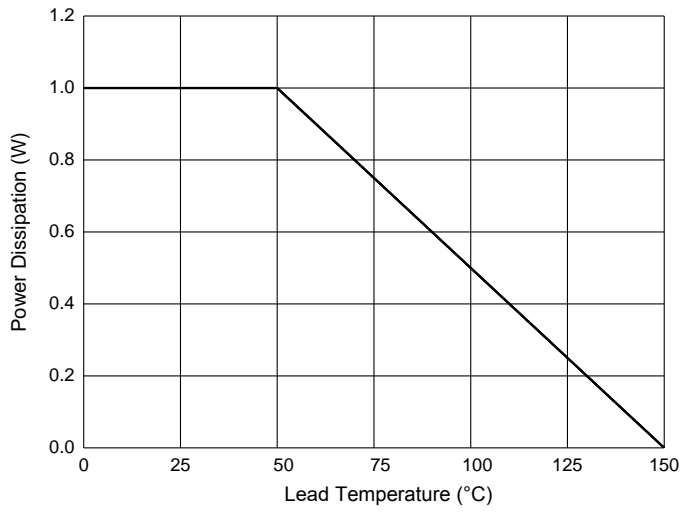
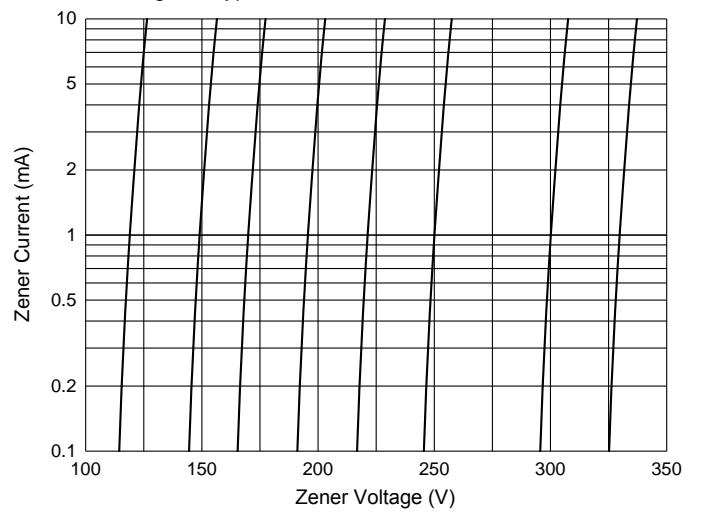


Fig. 2 - Typical Zener Breakdown Characteristics



Ordering Information

Device	Packing
(Part Number)-TP	Tape&Reel: 5Kpcs/Reel
(Part Number)-AP	Ammo Packing: 5Kpcs/Ammo Box
(Part Number)-BP	Bulk: 1Kpcs/Box, 50Kpcs/Carton

Note : Adding "-HF" Suffix For Halogen Free, eg. Part Number-TP-HF

IMPORTANT NOTICE

Micro Commercial Components Corp. reserves the right to make changes without further notice to any product herein to make corrections, modifications , enhancements , improvements , or other changes . **Micro Commercial Components Corp.** does not assume any liability arising out of the application or use of any product described herein; neither does it convey any license under its patent rights ,nor the rights of others . The user of products in such applications shall assume all risks of such use and will agree to hold **Micro Commercial Components Corp.** and all the companies whose products are represented on our website, harmless against all damages. **Micro Commercial Components Corp.** products are sold subject to the general terms and conditions of commercial sale, as published at <https://www.mccsemi.com/Home/TermsAndConditions>.

LIFE SUPPORT

MCC's products are not authorized for use as critical components in life support devices or systems without the express written approval of Micro Commercial Components Corporation.

CUSTOMER AWARENESS

Counterfeiting of semiconductor parts is a growing problem in the industry. Micro Commercial Components (MCC) is taking strong measures to protect ourselves and our customers from the proliferation of counterfeit parts. MCC strongly encourages customers to purchase MCC parts either directly from MCC or from Authorized MCC Distributors who are listed by country on our web page cited below. Products customers buy either from MCC directly or from Authorized MCC Distributors are genuine parts, have full traceability, meet MCC's quality standards for handling and storage. **MCC will not provide any warranty coverage or other assistance for parts bought from Unauthorized Sources.** MCC is committed to combat this global problem and encourage our customers to do their part in stopping this practice by buying direct or from authorized distributors.